



S1AL THRU S1ML

1.0 AMP. Surface Mount Rectifiers



Voltage Range
50 to 1000 Volts
Current
1.0 Ampere

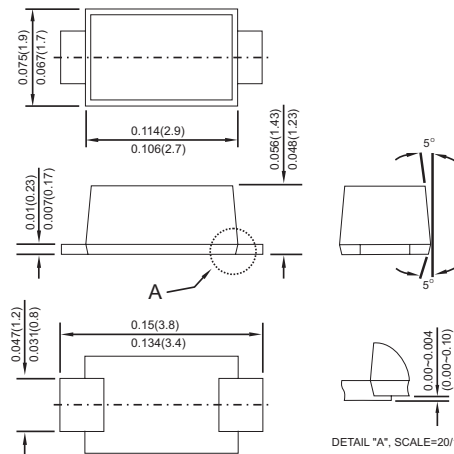
Features

- ✧ For surface mounted application
- ✧ Glass passivated junction chip.
- ✧ Low-PROFILE PACKAGE
- ✧ Ideal for automated placement
- ✧ Low power loss, high efficiency
- ✧ High temperature soldering:
260°C / 10 seconds at terminals

Mechanical Data

- ✧ Case: JEDEC DO-219-AB(SMF) plastic case
- ✧ Polarity: Color band denotes cathode end
- ✧ Packaging: 12mm tape per EIA STD RS-481
- ✧ Weight: approx. 15mg

Sub SMA



Dimensions in inches and (millimeters)

Maximum Ratings and Electrical Characteristics

Rating at 25°C ambient temperature unless otherwise specified.

Single phase, half wave, 60 Hz, resistive or inductive load.

For capacitive load, derate current by 20%

Type Number	Symbol	S1AL	S1BL	S1DL	S1GL	S1JL	S1KL	S1ML	Units
Maximum Recurrent Peak Reverse Voltage	V_{RRM}	50	100	200	400	600	800	1000	V
Maximum RMS Voltage	V_{RMS}	35	70	140	280	420	560	700	V
Maximum DC Blocking Voltage	V_{DC}	50	100	200	400	600	800	1000	V
Marking Code (Note 3)		1ALYM	1BLYM	1DLYM	1GLYM	1JLYM	1KLYM	1MLYM	
Maximum Average Forward Rectified Current @ $T_L = 110^\circ\text{C}$	$I_{(AV)}$	1.0							A
Peak Forward Surge Current, 8.3 ms Single Half Sine-wave Superimposed on Rated Load (JEDEC method)	I_{FSM}	30							A
Maximum Instantaneous Forward Voltage @ 1.0A	V_F	1.1							V
Maximum DC Reverse Current @ $T_A = 25^\circ\text{C}$ at Rated DC Blocking Voltage @ $T_A = 125^\circ\text{C}$	I_R	5 50							μA μA
Typical Thermal Resistance (Note 2)	$R_{\theta JL}$ $R_{\theta JA}$	25 85					30 85		$^\circ\text{C}/\text{W}$
Typical Junction Capacitance (Note 1)	C_j	9							pF
Operating Temperature Range	T_J	-55 to +150							$^\circ\text{C}$
Storage Temperature Range	T_{STG}	-55 to +150							$^\circ\text{C}$

Notes: 1. Measured at 1 MHz and Applied $V_R = 4.0$ Volts

2. Measured on P.C. Board with 0.2 x 0.2" (5.0 x 5.0mm) Copper Pad Areas.

3. 1ALYM: 1=1A, A=50V, L=Low Profile, Y=Year Code, M=Month Code.

RATINGS AND CHARACTERISTIC CURVES (S1AL THRU S1ML)

FIG.1- MAXIMUM FORWARD CURRENT DERATING CURVE

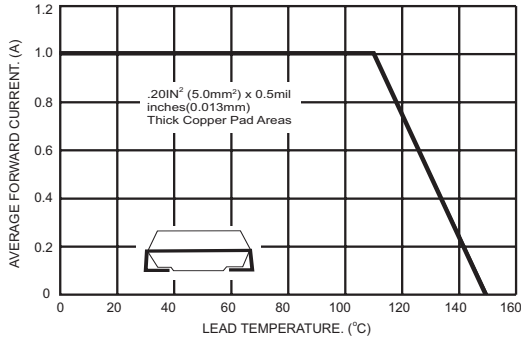


FIG.2- MAXIMUM NON-REPETITIVE FORWARD SURGE CURRENT

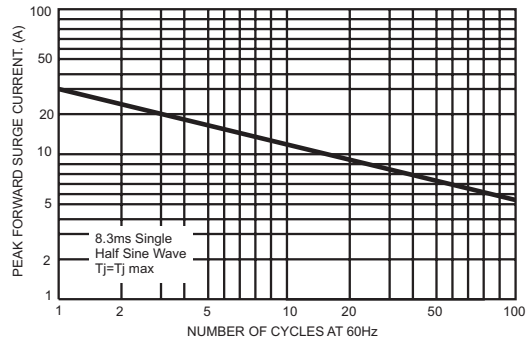


FIG.3- TYPICAL FORWARD CHARACTERISTICS

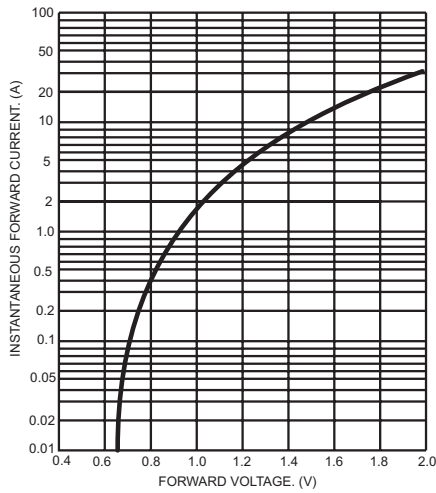


FIG.4- TYPICAL REVERSE CHARACTERISTICS

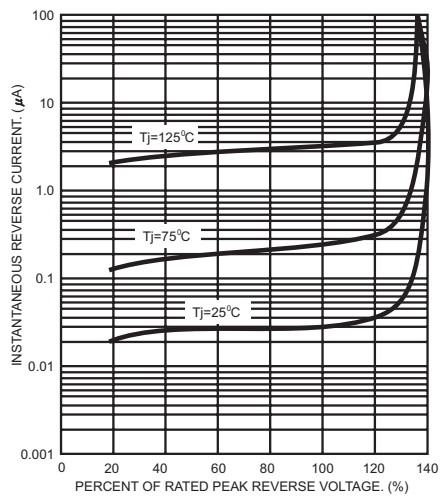


FIG.5- TYPICAL JUNCTION CAPACITANCE

